

SUMMIT

DO MORE, LEARN MORE, BE MORE...

Knots & Lashings Made Easy

Index

Knots

- Reef Knot
- Clove Hitch
- Figure of Eight
- Bowline
- Sheet Bend
- Sheet Shank

Hitches

- Round Turn and Two Half Hitches
- Trucker's Hitch
- Timber Hitch
- Highwayman's Hitch

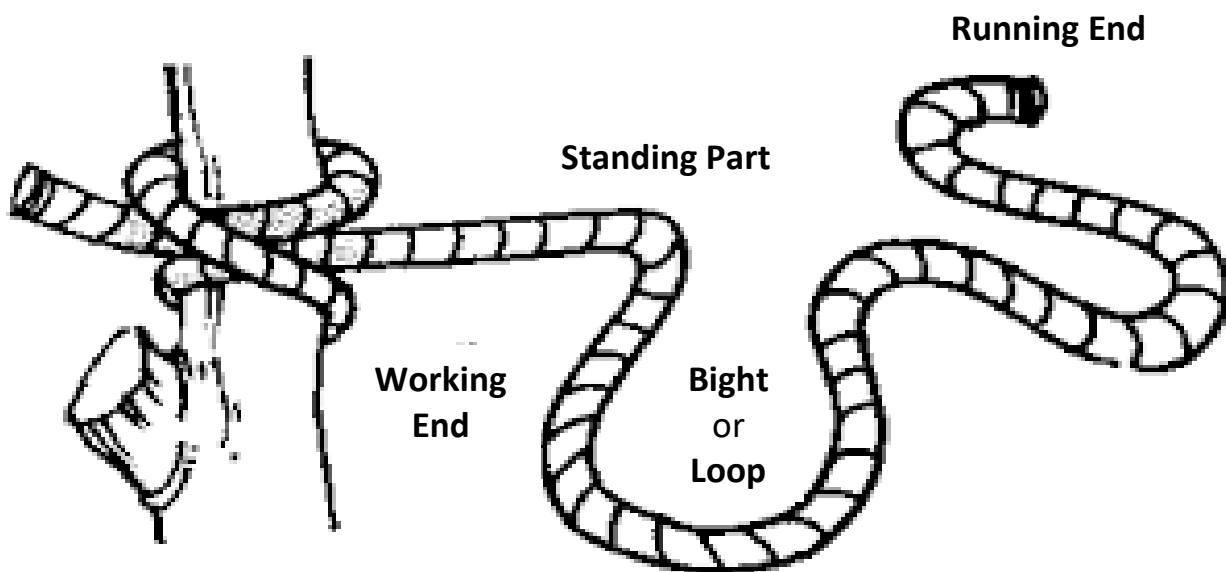
Lashings

- Square Lashing
- Diagonal Lashing
- Round Lashing

Example Pioneering Ideas

- Fire Bucket Stand
- Wheelbarrow
- Flagpole
- Simple Table
- Camp Shower
- Firewood Store
- Picnic Tables
- Two-Sink Dishwashing Station

Reference - Parts of the Rope



SUMMIT

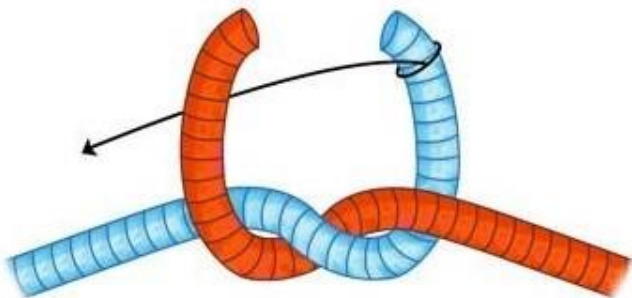
DO MORE, LEARN MORE, BE MORE...

Knots & Lashings Made Easy The Reef Knot

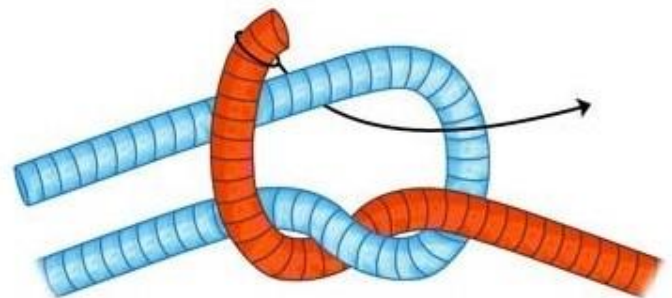
This knot is great for tying around an object to secure it, tying up bundles and packages and is also used for first aid.

This is your basic knot, something that you should have up your sleeve when you cover something or need to hold something together using a rope.

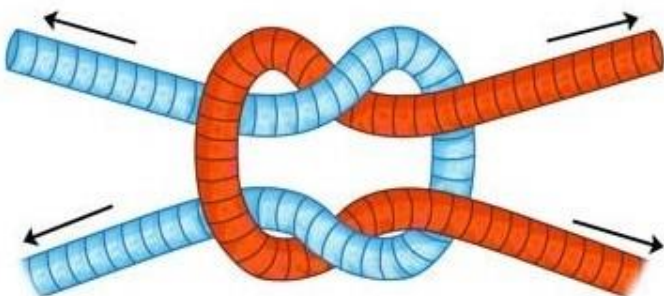
It is also great for tying together two lengths of rope of equal thickness.



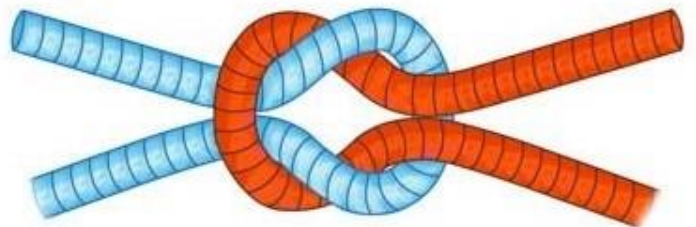
1 Cross the blue and red ends



2 Pass the red end through the blue loop



3 Pull the ends to tighten



4 The knot is complete

Mnemonic rhyme: Right over left, left over right, makes a reef knot both tidy and tight

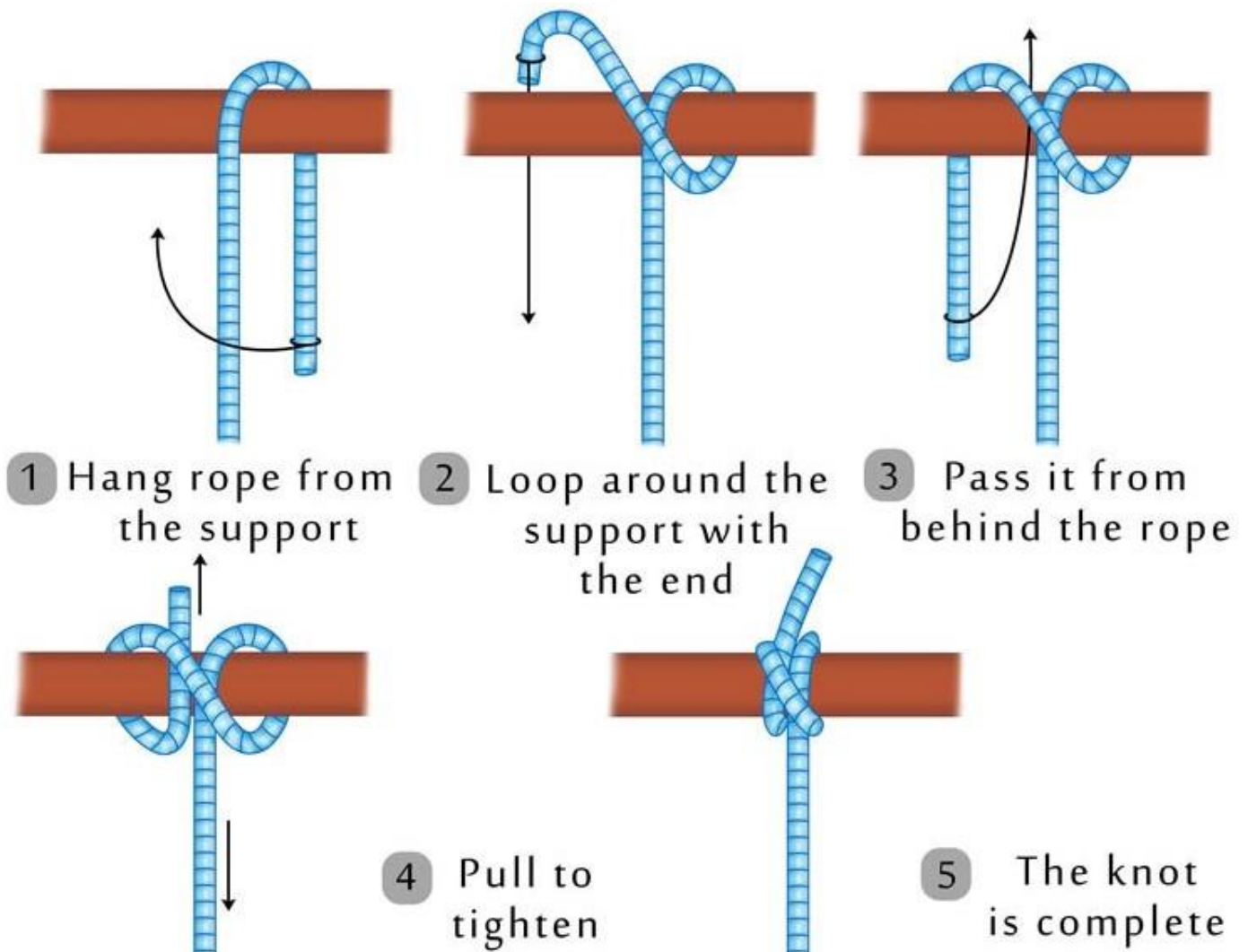
SUMMIT

DO MORE, LEARN MORE, BE MORE...

Knots & Lashings Made Easy The Clove Hitch

This knot has come in very handy whenever there is a need to securely tie the end of a rope to a stationary object. It is an absolute winner for tying your tarps to poles or hanging your hammock or making a clothesline.

Need to secure something on your roof racks? Use this knot.



Mnemonic rhyme: loop right around the pole, loop left around the pole, then up through the hole.

SUMMIT

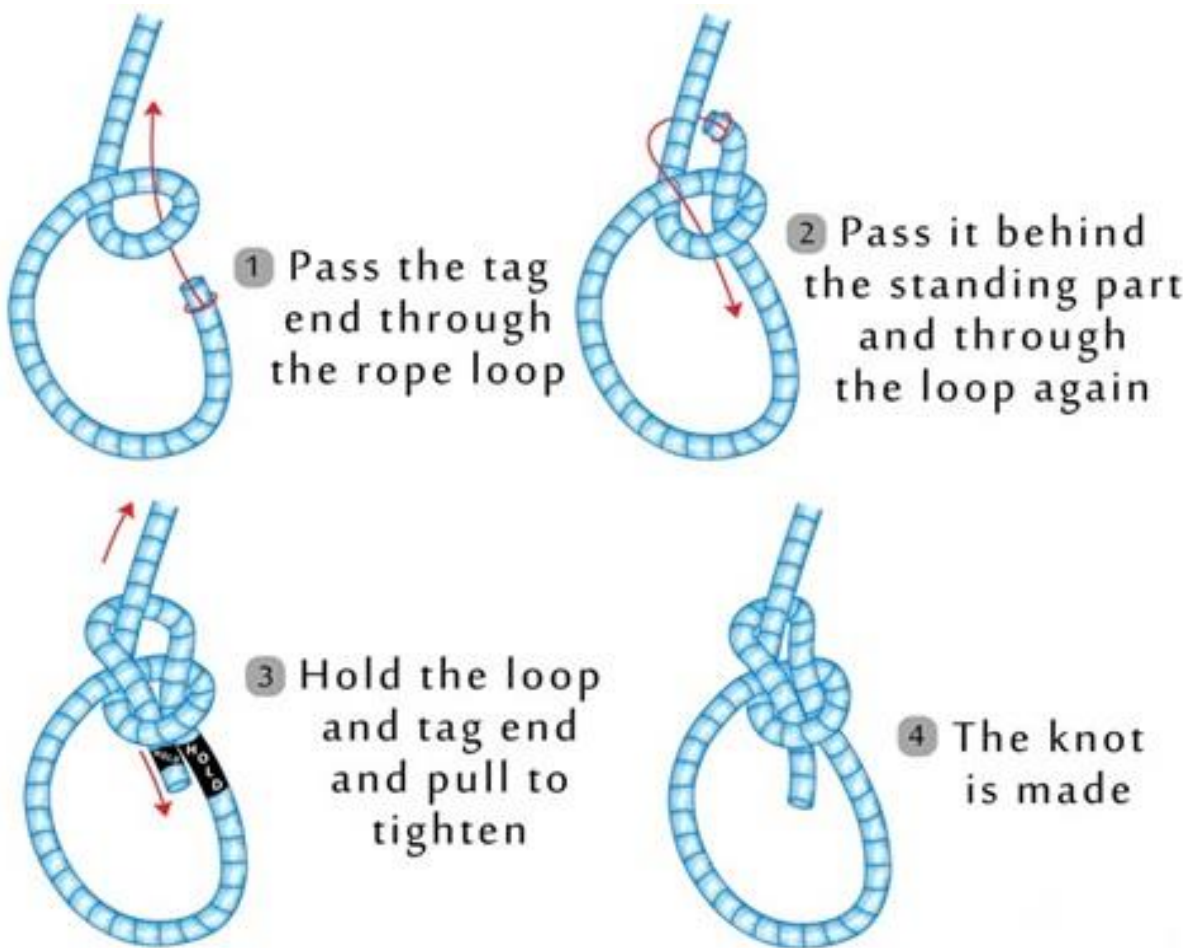
DO MORE, LEARN MORE, BE MORE...

Knots & Lashings Made Easy

The Bowline

This is a great knot to make a loop, when subjected to tension, the loop keeps its shape, and you can still untie it after it's borne its load.

It is a great tie down knot and is really handy in emergency situations. This knot forms an open loop that is easy for someone to grab onto and be pulled up out of a dangerous situation.



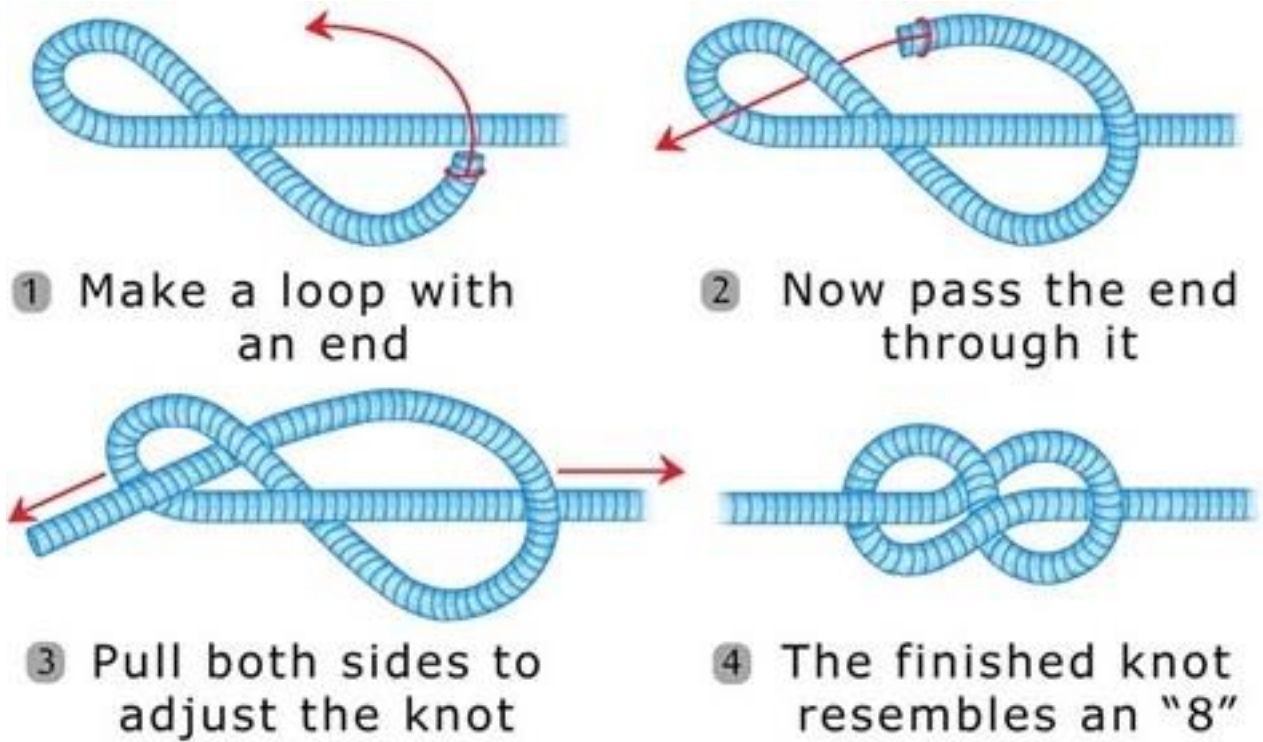
Mnemonic story: make a hole; rabbit hops up out of the hole, runs around the tree, and back down the hole.

SUMMIT

DO MORE, LEARN MORE, BE MORE...

Knots & Lashings Made Easy The Figure of Eight

This is a great knot to make a loop. When subjected to tension, the loop keeps its shape, and you can still untie it after it's borne its load. It's a great tie down knot and is really handy in emergency situations. This knot forms an open loop that is easy for someone to grab onto and be pulled up out of a dangerous situation.

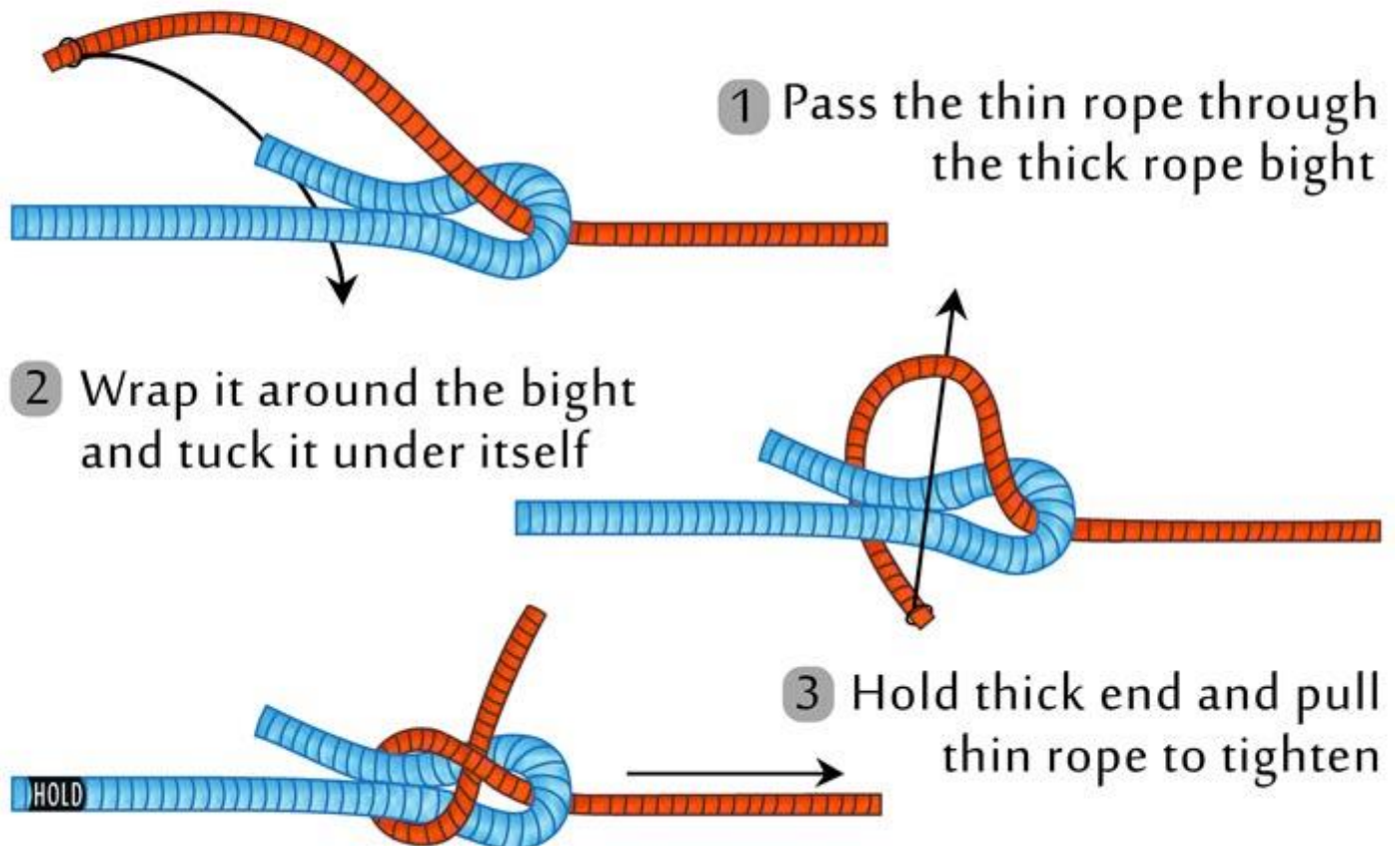


SUMMIT

DO MORE, LEARN MORE, BE MORE...

Knots & Lashings Made Easy The Sheet Bend

Need to lengthen a thick clothesline, but all you have is a thin piece of rope? Don't fret. The sheet bend can lend a helping hand. The knot, also known as, becket bend, weaver's hitch or weaver's knot, though recommended for joining ropes of different diameters, is equally effective for ropes of equal thicknesses.

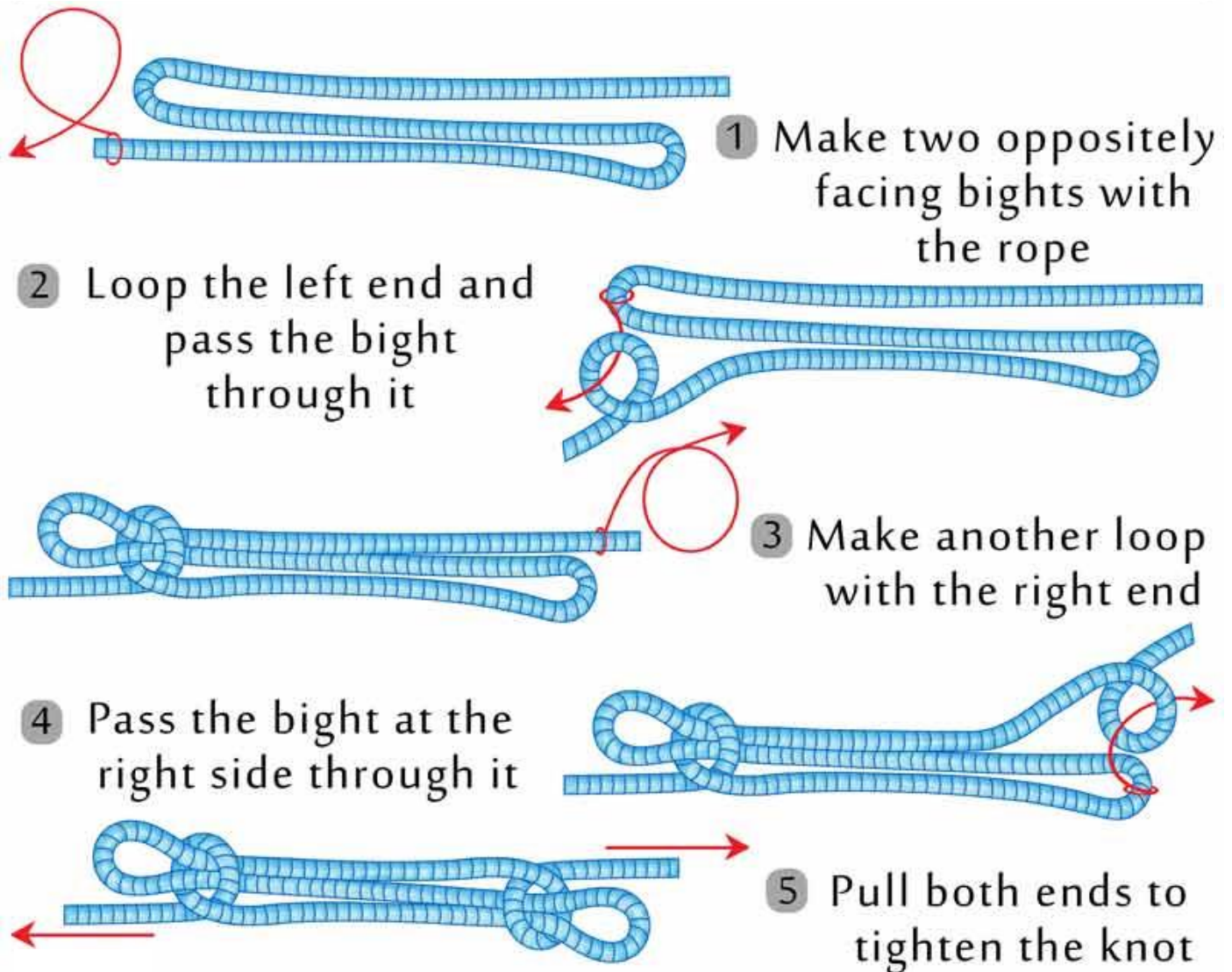


SUMMIT

DO MORE, LEARN MORE, BE MORE...

Knots & Lashings Made Easy The Sheep Shank

The sheepshank knot is mostly used to shorten a length of rope temporarily. Not being a stable knot, it falls apart under too heavy or too little load.

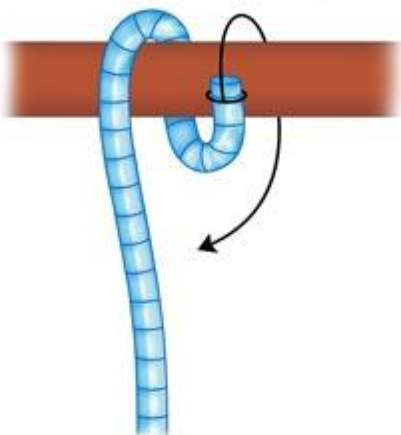


SUMMIT

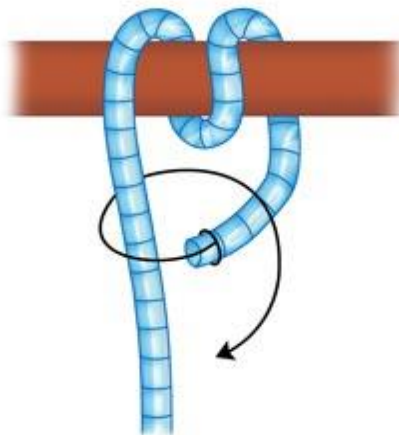
DO MORE, LEARN MORE, BE MORE...

Knots & Lashings Made Easy Round Turn and Two Half Hitches

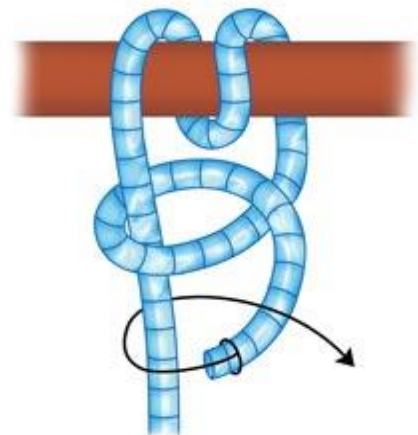
This strong knot consists of two parts, a round turn and two half hitches. The first part takes the initial strain and controls the load as you complete the knot. It also provides friction against the support. It fastens a rope to a fixed object such as a post, tree, ring or column.



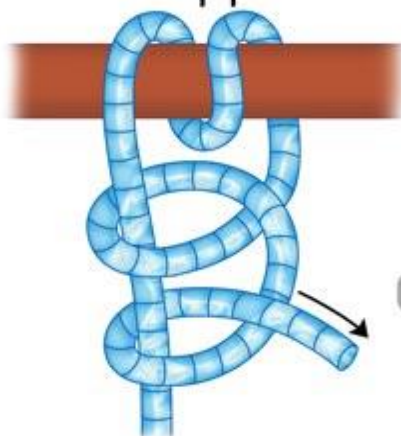
1 Wrap the end around the support



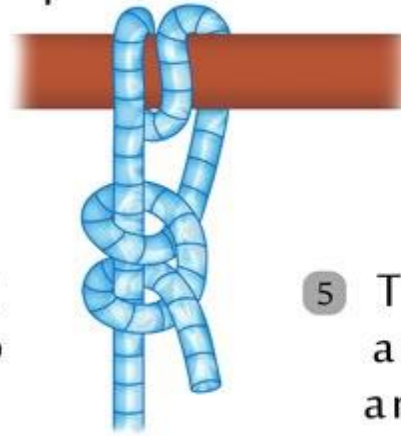
2 Wrap it around the standing part of the rope



3 Make another turn



4 Take it out of the loop



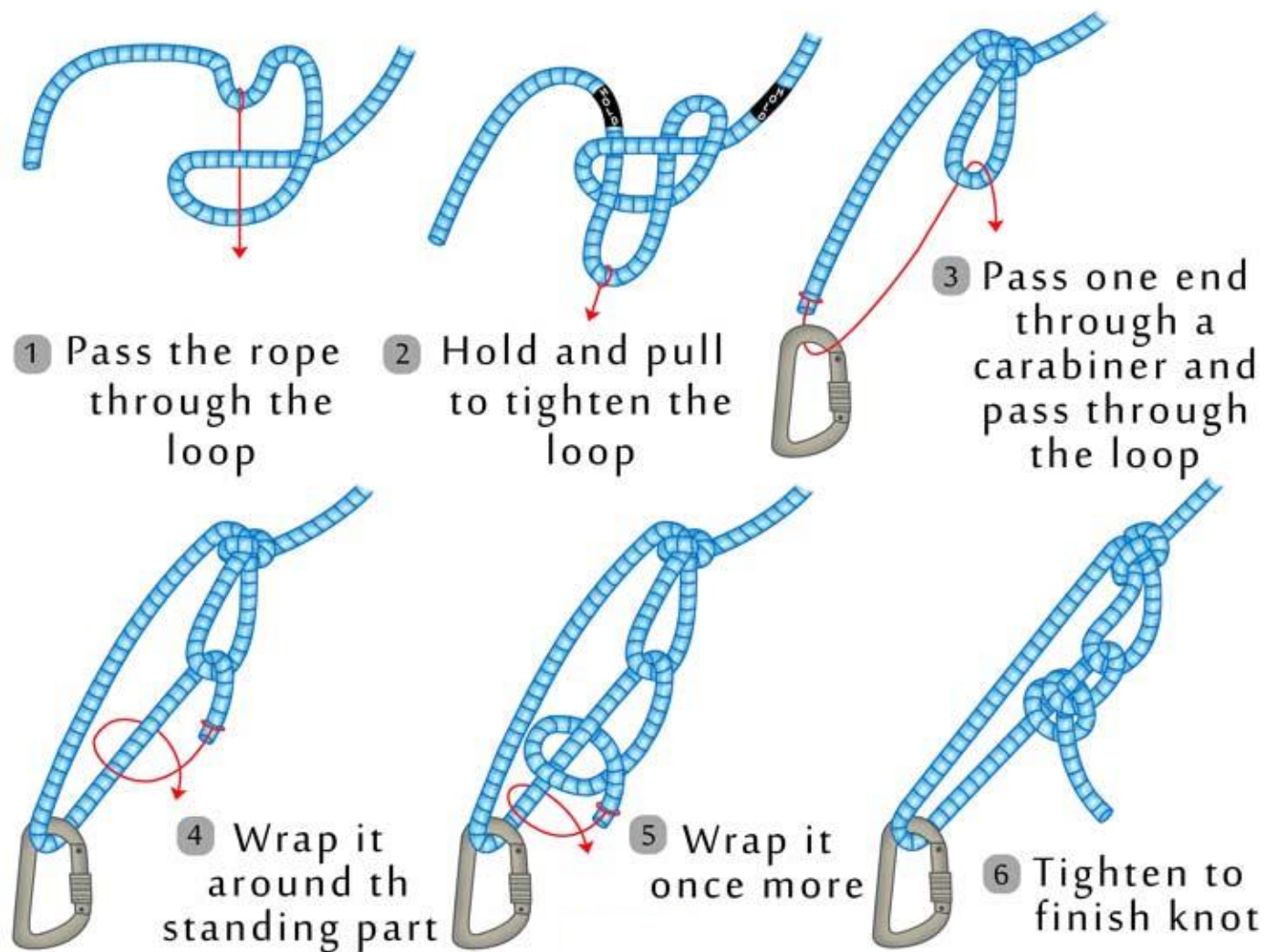
5 Tighten and you are done

SUMMIT

DO MORE, LEARN MORE, BE MORE...

Knots & Lashings Made Easy The Trucker's Hitch

Do you need to tie down long ropes at your camp site or secure kayaks and canoes to your truck? The trucker's hitch or power cinch knot could help you with it. It works for long lengths of ropes such as tarp guy-lines or clotheslines.

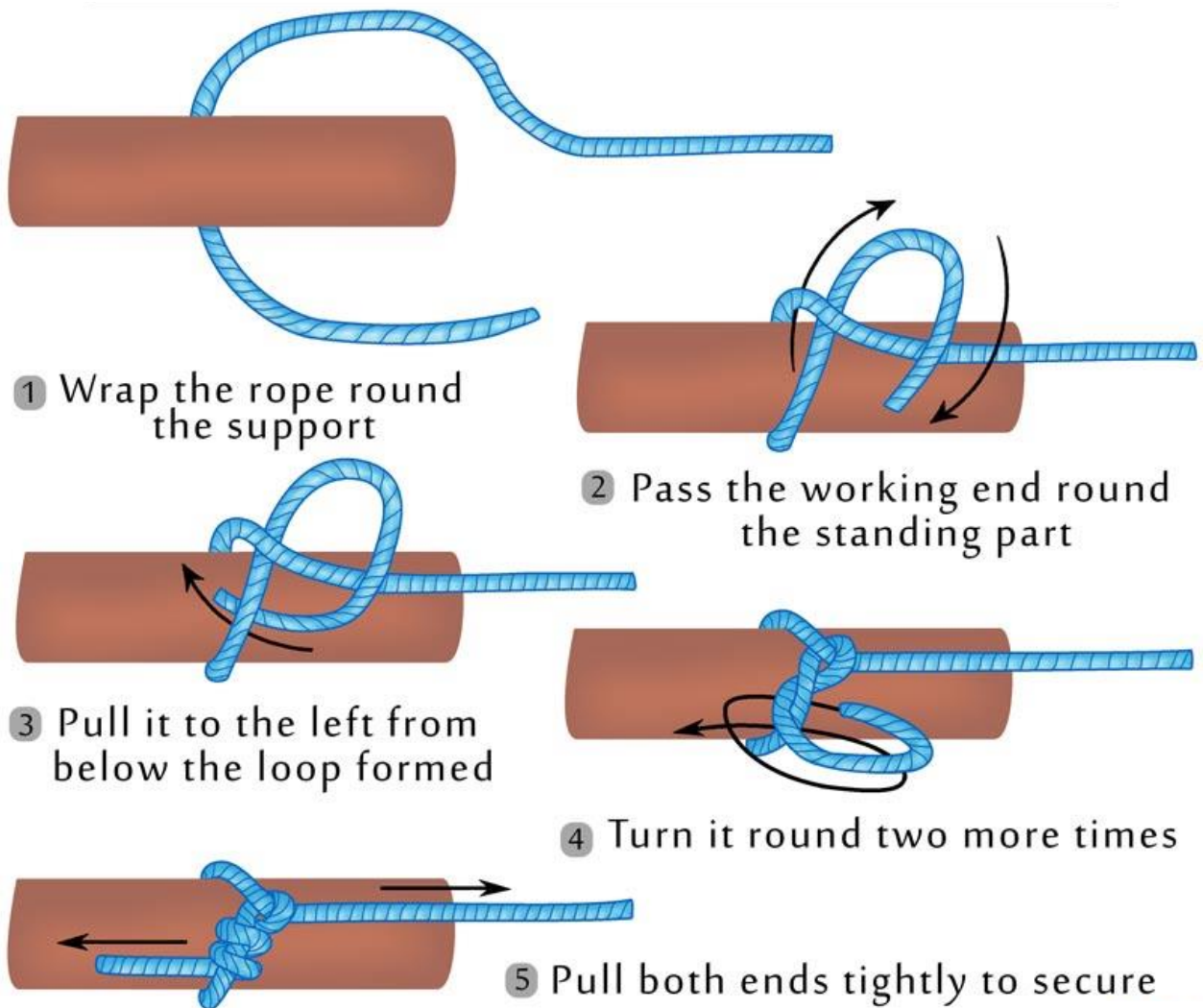


SUMMIT

DO MORE, LEARN MORE, BE MORE...

Knots & Lashings Made Easy The Timber Hitch

The timber hitch is used to secure a rope round a post or any cylindrical object. It is also known as Bowyer's Knot owing to its use in attaching the end of the bowstring to a longbow.

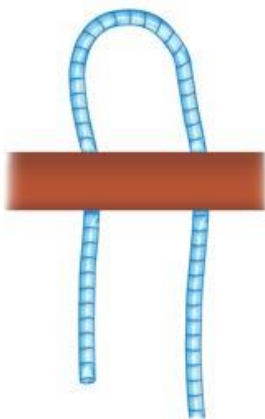


SUMMIT

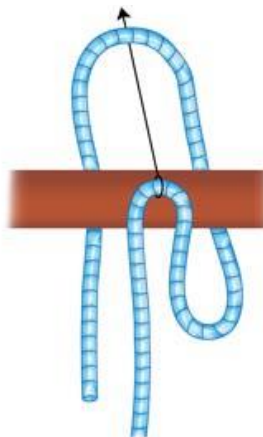
DO MORE, LEARN MORE, BE MORE...

Knots & Lashings Made Easy The Highwayman's Hitch

This quick release knot is of the draw loop type and can temporarily secure a load that is to be released cleanly and easily. It can be tied at the middle of a rope eliminating the need of the working end to be passed around the anchor while tying or releasing. It involves 3 bights of the same rope each of which successively lock the previous one.



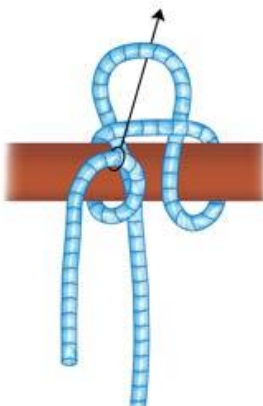
1 Take a bight of rope behind the support



2 Pass another bight through it



3 It would look like this



4 Pass another bight through the loop



5 Pull the top loop and the standing part



6 The knot is complete

SUMMIT

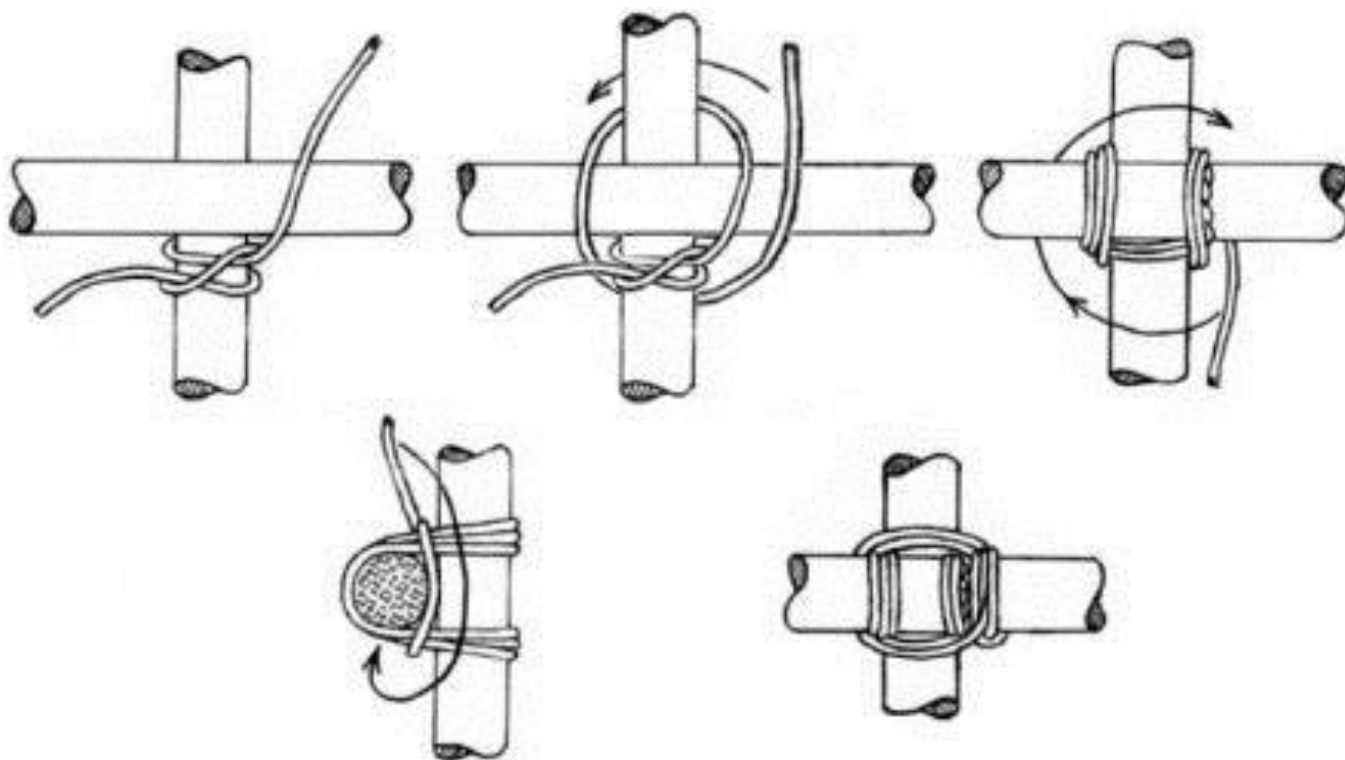
DO MORE, LEARN MORE, BE MORE...

Knots & Lashings Made Easy

Square Lashing

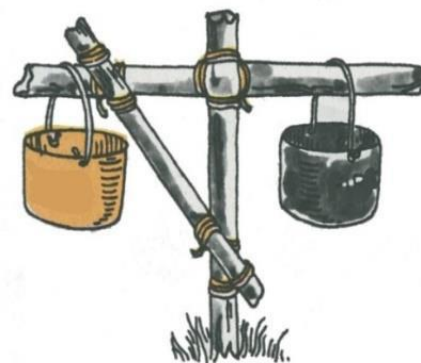
This is the most commonly used lashing method.

It is used where the poles will try to slide over each other and are at 90° or very close to that.



Example Project: Fire Bucket Holder

- One 4-foot x 2-inch stake
- Two 2-foot x 1-inch straight poles
- Three 9-foot x 5/32" diameter lashing ropes



SUMMIT

DO MORE, LEARN MORE, BE MORE...

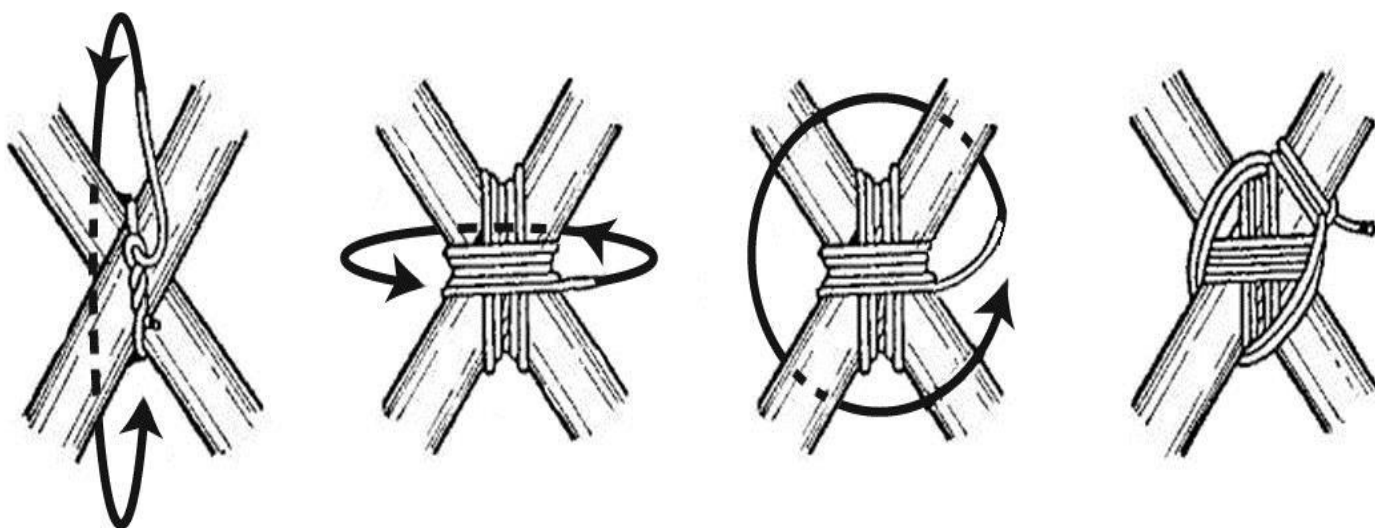
Knots & Lashings Made Easy

Diagonal Lashing

This method is used where the poles have to be pulled together or when they tend to spring apart from each other for example in the cross-brace of a framework.

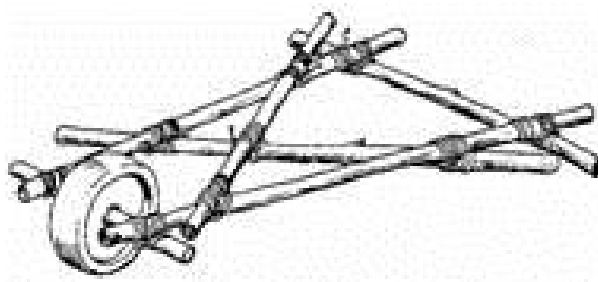
Often the two poles form an "X" and prevent a project from *racking*.

Diagonal lashing should also be used when the angle which the poles are placed is other than 90°.



Example Project: Wheelbarrow:

- Four 4-foot x 2-inch poles
- One 3-foot x 2-inches poles (handle)
- One 2-foot x 2-inch poles (axle)
- One wheel
- Nine 12-foot x 5/32" diameter lashing ropes



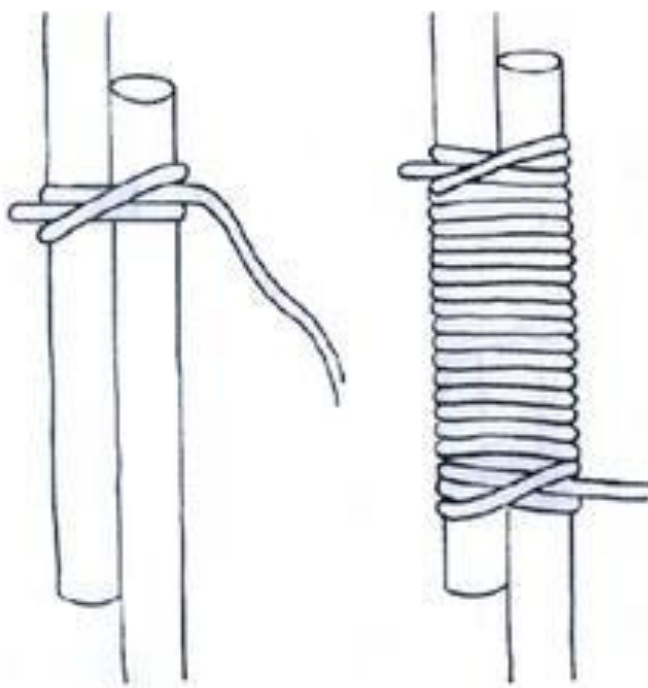
SUMMIT

DO MORE, LEARN MORE, BE MORE...

Knots & Lashings Made Easy

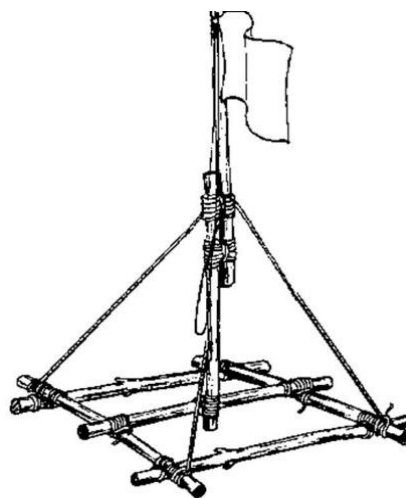
Round Lashing

This method is the most commonly used lashing for extending the length of a pole.



Example Project: Wheelbarrow:

- Seven 6-foot x 2-inch poles
- Nine 12-foot x 5/32-inch diameter lashing ropes
- Two 15-foot x 5/32-inch diameter lashing ropes (guy ropes)
- One flag, one eye-bolt and two spring-loaded clamps



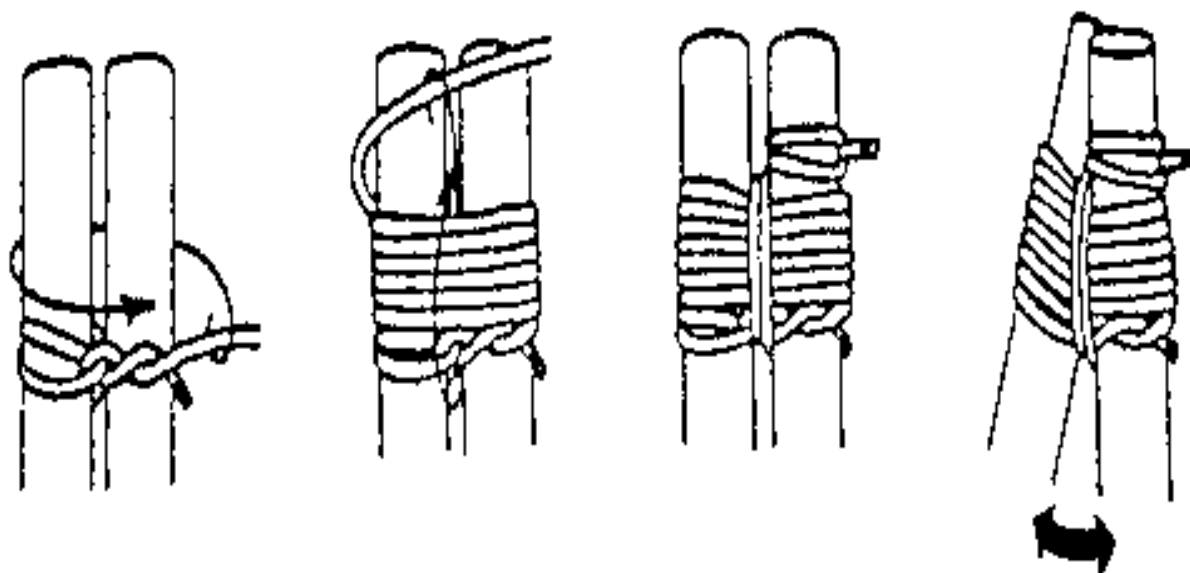
SUMMIT

DO MORE, LEARN MORE, BE MORE...

Knots & Lashings Made Easy

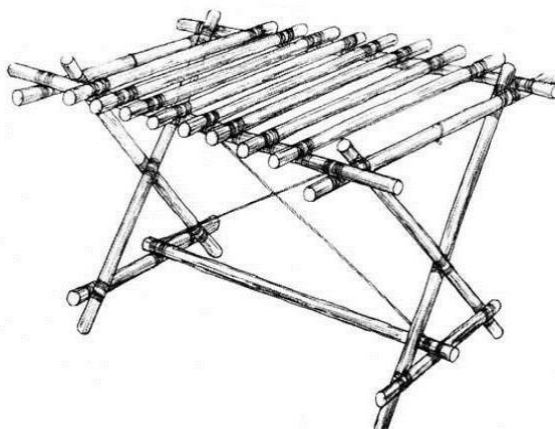
Sheer Lashing

This method is used to join two poles together to form a scissor shape often used for table legs (sheer legs). With this application the poles might either lift or support weights.



Example Project: Simple Table:

- Seven 6-foot x 2-inch poles (legs & stringers)
- Four 3-foot x 2-inch poles (leg supports)
- Sixteen 12-foot x 5/32-inch diameter lashing ropes
- Two 24-foot x 5/32-inch diameter lashing ropes
- Lath material for tabletop (4-foot / 3-foot)

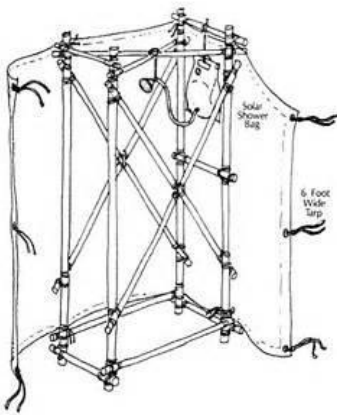


Note: diagonal rope under the table tied from side-to-side to prevent racking.

SUMMIT

DO MORE, LEARN MORE, BE MORE...

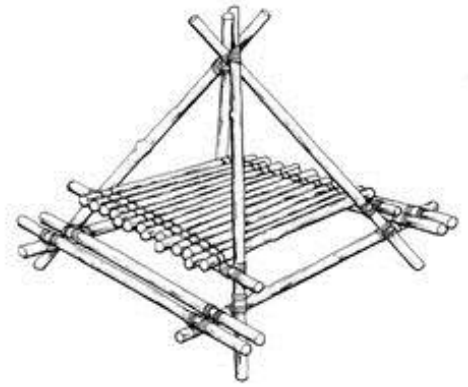
Knots & Lashings Made Easy More Example Pioneering Projects



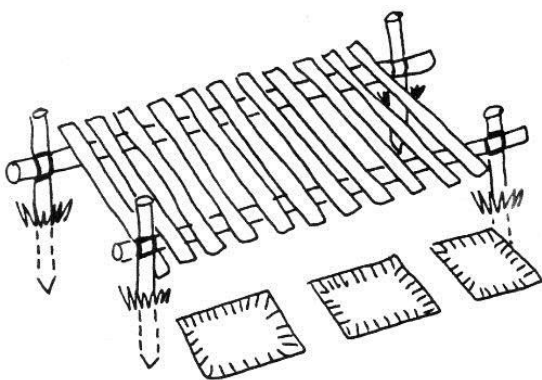
Camp Shower



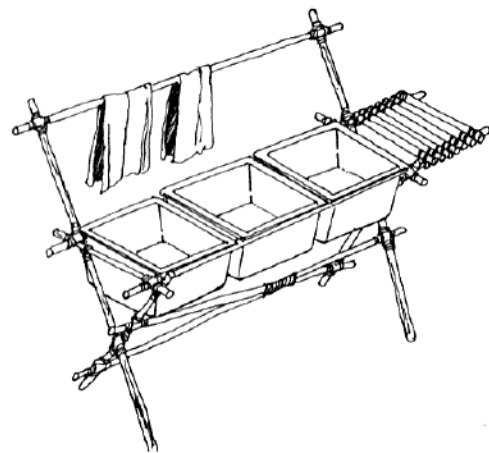
Firewood Store



Picnic Table



Low Picnic Table



Two-Sink Dishwashing Station

Fun, Adventure, Involvement, and Challenges are built in.